

AsA
Electronic

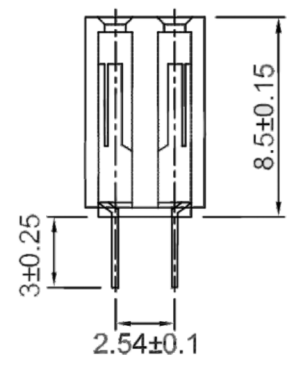
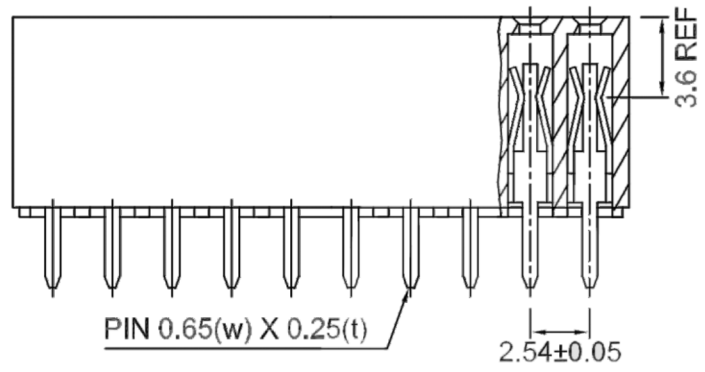
www.AsA-Elec.com

SPECIFICATION

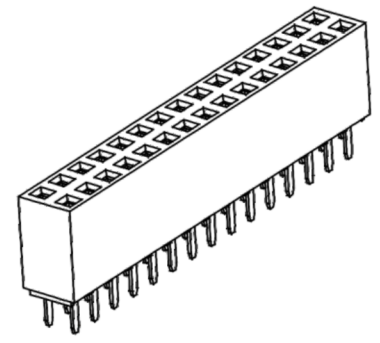
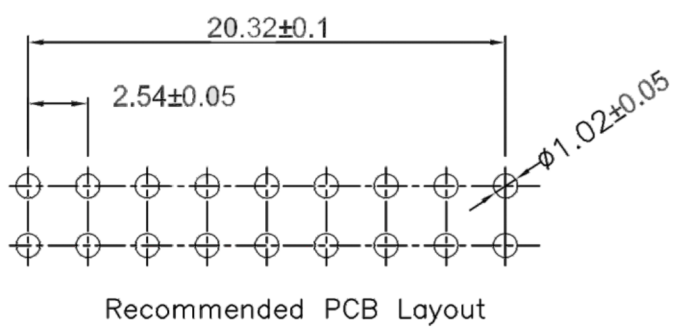
Current Rating: 3.0 Amp
 Insulation Resistance: 5000M ohms min
 Contact Resistance: 20M ohms max
 Dielectric Withstanding: AC500V
 Operating Temperature: -65°C to +125°C
 Contact Material: Brass
 Insulator Material: PBT,UL 94V-0 Black

Ordering Code:

FHES20 - X - X - D - X - X - X
 ① ② ③ ④ ⑤ ⑥ ⑦



- ① Series No:
- ② No. of Contacts
06 To 120
- ③ Contact Plating
G0: Gold flash
G1: 3u" Gold
G2: 5u" Gold
G3: 10u" Gold
G4: 15u" Gold
G5: 30u" Gold
SN: Tin
- ④ Connector Type
D: Dual
- ⑤ Plastic High:
H: 8.5
Please mark the desired length in the H
- ⑥ Insulator Material
A: PBT
B: PA6T
C: LCP
D: PA46
- ⑦ Packing
A: Tray
B: Bag
C: Tube
D: Tape & Reel
E: Tape & Reel with Film



Unless Otherwise specified tolerance
 X:±0.35
 XX:±0.25
 XXX:±0.20
 XXXX:±0.15

AsA Electronic Co.
 WWW.AsA-Elec.com
 Tel : (+98) 21 66 73 56 82 Mob : (+98) 912 03 161 02

SCALE: As Shown
 UNIT: mm

DRAWN: junEon H
 CHECKED: YANG



TITLE: 2.54mm Female Header Dual Row
 Straight triple contact Type H:8.5

DRAWING NO: FHES20-XXDXXX
 PRODUCT NO: FHES20-XXDXXX

REV	DESCRIPTION	DATE
1	Add option of plating	10/8/1